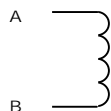
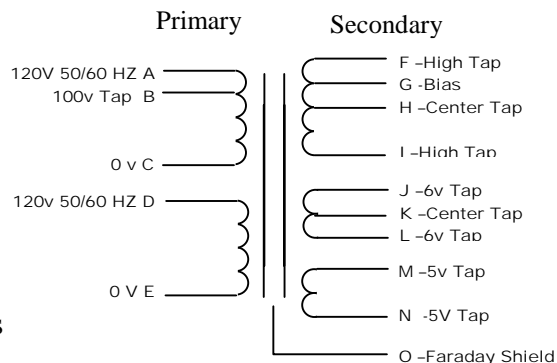


# Mojotone Transformers

Chokes



Power Transformers



## MOJO752 Tweed Bassman

Transformer

Z Mount on blah x blah centers

**Color Code:**

H - Red/Yel	
A - Brown	I - Red
B - Orange	J - Grn
C - Black	K - Grn/Yel
D - Brn/Wht	L - Grn
E - Blk/Wht	M - Yel
F - Red	N - Yel
G - Wht	O - Unused

Alt Use Low Power Tweed Twin \*

## MOJO757Brown Vib/Tremo

Power Transformer

Z Mount on 3 1/8" x 2 1/2" centers

**Color Code:**

H - Red/Yel	
A - Brown	I - Red
B - Orange	J - Grn
C - Black	K - Grn/Yel
D - Brn/Wht	L - Grn
E - Blk/Wht	M - Yel
F - Red	N - Yel
G - Unused	O - Unused

## MOJO760Champ Princeton

Power Transformer

Z Mount on 2" x 2 1/2" centers

**Color Code:**

H - Red/Yel	
A - Black	I - Red
B - White	J - Green
C - Blk/Wht	K - Unused
D - Blk/Yel	L - Green
E - Blk/Red	M - Yellow
F - Red	N - Yellow
G - Unused	O - Orange

May come with MOJO759 label (old #)

## MOJO763 Blk Shwmn/Twin

Power Transformer

Z Mount on 3 3/4" x 2 7/8" centers

**Color Code:**

H - Red/Yel	
A - Black	I - Red
B - White	J - Green
C - Blk/Wht	K - Unused
D - Blk/Yel	L - Green
E - Blk/Red	M - Yellow
F - Red	N - Yellow
G - Red/Blue	O - Orange

## MOJO753 Tweed Twin Hp

Power Transformer

Z Mount on 3" x 3 1/4" centers

**Color Code:**

H - Red/Yel	
A - Brown	I - Red
B - Orange	J - Grn
C - Black	K - Grn/Yel
D - Brn/Wht	L - Grn
E - Blk/Wht	M - Yel
F - Red	N - Yel
G - Wht	O - Unused

## MOJO758Brown Vib/Tremo

Power Transformer

Z Mount on 3 1/8" x 2 1/2" centers

**Color Code:**

H - Red/Yel	
A - Brown	I - Red
B - Orange	J - Grn
C - Black	K - Grn/Yel
D - Brn/Wht	L - Grn
E - Blk/Wht	M - Yel
F - Red	N - Yel
G - Wht	O - Unused

Alt Use MOJO757 (leave G unused)

## MOJO761Black/Sil Deluxe

Power Transformer

Z Mount on 2 7/8" x 2 1/4" centers

**Color Code:**

H - Red/Yel	
A - Black	I - Red
B - White	J - Green
C - Blk/Wht	K - Unused
D - Blk/Yel	L - Green
E - Blk/Red	M - Yellow
F - Red	N - Yellow
G - Red/Blue	O - Orange

## Mojo777 6L6 Choke - All

X mount on blah x blah centers  
Black leads A and B

## Mojo778 6V6 Choke - All

X mount on 2" centers  
Black leads A and B

Z =Horizontal/Thru Mounting  
X=Vertical/Flush Mounting  
Amps with K unused need 2 100 ohm resistors connected across heater

\* mounting centers slightly closer

## MOJO756 Tweed Deluxe

Power Transformer

Z Mount on 2 7/8" x 2 1/4" centers

**Color Code:**

H - Red/Yel	
A - Brown	I - Red
B - Orange	J - Grn
C - Black	K - Grn/Yel
D - Brn/Wht	L - Grn
E - Blk/Wht	M - Yel
F - Red	N - Yel
G - Wht	O - Unused

## MOJO759Tweed Champ

Power Transformer

Z Mount on 2" x 2 1/2" centers

**Color Code:**

H - Red/Yel	
A - Brown	I - Red
B - Orange	J - Grn
C - Black	K - Grn/Yel
D - Brn/Wht	L - Grn
E - Blk/Wht	M - Yel
F - Red	N - Yel
G - Unused	O - Unused

## MOJO762 Basmn/Supr/Vibr

Power Transformer

Z Mount on 3 1/2" x 2 3/4" centers

**Color Code:**

H - Red/Yel	
A - Black	I - Red
B - White	J - Green
C - Blk/Wht	K - Unused
D - Blk/Yel	L - Green
E - Blk/Red	M - Yellow
F - Red	N - Yellow
G - Red/Blue	O - Orange

## MOJO779 Reverb Unit

Power Transformer

X Mount on 3 1/8" 2 hole centers

**Color Code:**

H - Unused	
A - Black	I - Red
B - White	J - Green
C - Blk/Wht	K - Unused
D - Blk/Yel	L - Green
E - Blk/Red	M - Unused
F - Red	N - Unused
G - Unused	O - Orange

# Mojotone Transformers



## Output Transformers

<p><b>MOJO764 Tweed Bassman</b> Output Transformer X Mount on 3 1/4" x 2" centers</p> <p><b>Color Code:</b>            A – Blue      D – Unused            B – Red        E – Unused            C – Brown     F – Green                              G – Black</p> <p>Primary (4k)      Secondary</p>	
<p><b>MOJO768 Tweed Deluxe</b> Output Transformer X Mount on 3 1/2" 2 hole centers</p> <p><b>Color Code:</b>            A – Blue      D – Yellow            B – Red        E – Unused            C – Brown     F – Unused                              G – Black</p> <p>Primary (8k)      Secondary</p>	
<p><b>NOS771 Tweed Champ Style</b> Output Transformer X Mount on 2" 2 hole centers</p> <p><b>Color Code:</b>            A – Blue      D – Unused            B – unused    E – Yellow            C – Red        F – Unused                              G – Bare</p> <p>Primary (7k)      Secondary</p>	
<p><b>MOJO773 Black/Sil Deluxe</b> Output Transformer X Mount on 3 1/8" 2 hole centers</p> <p><b>Color Code:</b>            A – Blue      D – Green            B – Red        E – Unused            C – Brown     F – Unused                              G – Black</p> <p>Primary (7k)      Secondary</p>	
<p><b>MOJO776 Reverb Driver</b> Output Transformer X Mount on 1 23/32" 2 hole centers</p> <p><b>Color Code:</b>            A – Blue      D – Black            B – Unused    E – Unused            C – Red        F – Unused                              G – Green</p> <p>Primary (25k)     Secondary</p>	

<p><b>MOJO766 Tweed Twin HP</b> Output Transformer X Mount on 3 1/4" x 3 1/4" centers</p> <p><b>Color Code:</b>            A – Blue      D – Unused            B – Red        E – Green            C – Brown     F – Unused                              G – Black</p> <p>Primary (2k)      Secondary</p>	
<p><b>MOJO769 Br Vibr/Tremo</b> Output Transformer X Mount on 3 9/16" 2 hole centers</p> <p><b>Color Code:</b>            A – Blue      D – Black            B – Red        E – Unused            C – Brown     F – Unused                              G – Green</p> <p>Primary (4k)      Secondary</p>	
<p><b>MOJO771 Black/Sil Champ</b> Output Transformer X Mount on 2 3/8" 2 hole centers</p> <p><b>Color Code:</b>            A – Blue      D – Unused            B – unused    E – Green            C – Red        F – Unused                              G – Black</p> <p>Primary (7k)      Secondary</p>	
<p><b>MOJO774 Bl/Sil Bsmn/Spr/V</b> Output Transformer X Mount on 3 1/2" x 2" centers</p> <p><b>Color Code:</b>            A – Blue      D – Orange            B – Red        E – Yellow            C – Brown     F – Green                              G – Black</p> <p>Primary (4.5k)    Secondary</p>	
<p><b>Sundowner/ 8 Ohm Champ</b> Output Transformer X Mount on 2 13/16" 2 hole centers</p> <p><b>Color Code:</b>            A – Blue      D – Green            B – Unused    E – Unused            C – Brown     F – Unused                              G – Black</p> <p>Primary (7k)      Secondary</p>	

<p><b>MOJO767 Tweed Twin LP</b> Output Transformer X Mount on blah x blah centers</p> <p><b>Color Code:</b>            A – Blue      D – Unused            B – Red        E – Black            C – Brown     F – Unused                              G – Brown</p> <p>Primary (4k)      Secondary</p>	
<p><b>MOJO770 Bl Vibr/Tremo</b> Output Transformer X Mount on 3 9/16" 2 hole centers</p> <p><b>Color Code:</b>            A – Blue      D – Unused            B – Red        E – Black            C – Brown     F – Unused                              G – Green</p> <p>Primary (4k)      Secondary</p>	
<p><b>MOJO772 Bl/Sil Princeton</b> Output Transformer X Mount on 2 3/4" 2 hole centers</p> <p><b>Color Code:</b>            A – Blue      D – Green            B – Red        E – Unused            C – Brown     F – Unused                              G – Black</p> <p>Primary (8.5k)    Secondary</p>	
<p><b>MOJO775 Bl/Sil Twin/Shwm</b> Output Transformer X Mount on 3 1/2" x 2 1/4" centers</p> <p><b>Color Code:</b>            A – Blue      D – Yellow            B – Red        E – Green            C – Black      F – Unused                              G – Black</p> <p>Primary (2.1k)    Secondary</p>	
<p><b>Rocket / Schumacher</b> Output Transformer X Mount on 2 1/2" x 2 1/2" centers</p> <p><b>Color Code:</b>            A – Blue      D – Gr/Yl (16)            B – Red        E – Green (8)            C – Brown     F – Yel (4)                              G – Black</p> <p>Primary (6k)      Secondary</p>	